

hot & cold - Polished stainless steel / chrome

ST 050 522 2985



- max. flow 81.5 l/min at 3 bar flow pressure
- overhead shower: rain flow
- rain shower with anti-scale system
- forceful flat water jet
- horizontal water jet
- vertical water jet
- water jet adjustable
- suitable for xGRID (when using installation track + 12 mm recess depth)
- concealed rough parts
- exposed trim parts
- temperature setting via thermostat

Individual components of this set

You need the following components for this set

	2x	35 206 970 90		3x	35 085 970 90
	1x	35 521 970 90		1x	35 531 970 90
	2x	12 380 970 90		1x	27 838 979-00
	1x	28 765 980-00		1x	36 512 979-00
	1x	36 513 979-00		1x	36 514 979-00
	2x	36 503 985-00		5x	36 607 985-00



hot & cold - Polished stainless steel / chrome

ST 050 522 2985

hot & cold - Polished stainless steel / chrome

ST 050 522 2985

- female thread 1/2" connection
- dust cover
- anti-water packing



Recommended miscellaneous

Leak protection 1/2" -

12 010 970 90



Recommended miscellaneous

**xGRID Attachment set for
integrating in the dry wall
construction -**

12 340 970 90



Required miscellaneous

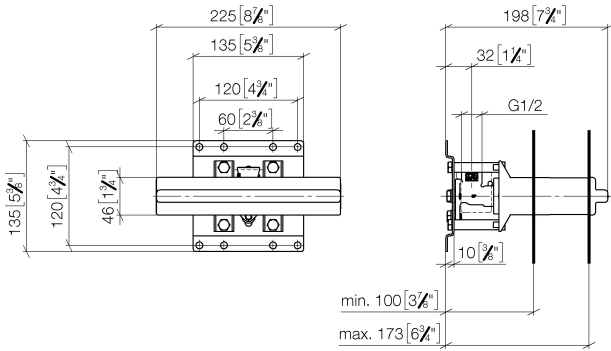
xGRID Installation track 555 mm - 12 360 970 90



hot & cold - Polished stainless steel / chrome

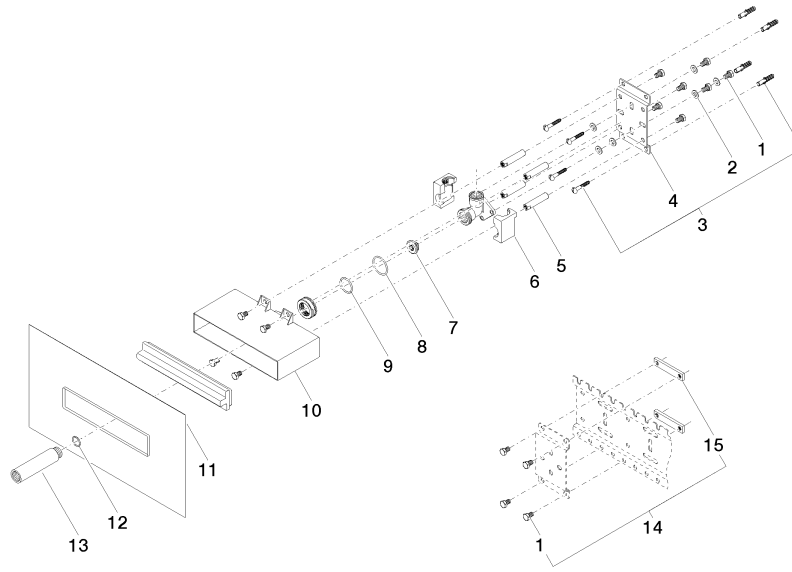
ST 050 522 2985

mm [inches]



Certificates

WRAS_2106011. LGA_19489.



Spare parts list

No.	Item Number	Name	Quantity used	Delivery time
1	09 30 30 152 90	screw	15	2
2	09 30 11 139 90	disc	6	2
3	04 30 31 024 01 90	fixing set	2	2
4	09 17 20 094 90	holder	1	2
5	09 18 40 138 90	sleeve	1	60
6	09 11 11 036 90	accessories	1	2
7	04 31 20 006 00 90	plug	1	2
8	09 14 10 149 90	seal	1	2
9	09 14 10 118 90	seal	1	2
10	09 11 11 053 90	accessories	1	60
11	04 14 03 126 00 90	gasket kit	1	2
12	90 14 10 010 00 90	seal	1	2
13	09 24 03 169 10 90	adaptor	1	2
14	04 17 20 100 00 90	fixing set	1	2
15	09 17 20 100 90	holder	2	2

hot & cold - Polished stainless steel / chrome

ST 050 522 2985



- red brass, lead-free
- female thread 1/2" connection
- 1x female thread 1/2" outlet
- dust cover
- anti-water packing
- soundproofing

For wall-mounted spouts and wall outlet elbows with 1/2" connection.

Recommended miscellaneous

Leak protection 1/2" -

12 010 970 90





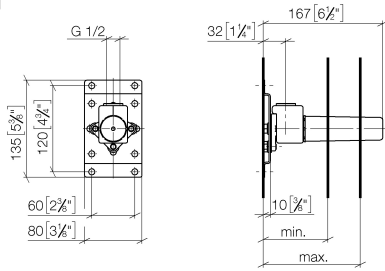
hot & cold - Polished stainless steel / chrome

ST 050 522 2985

hot & cold - Polished stainless steel / chrome

ST 050 522 2985

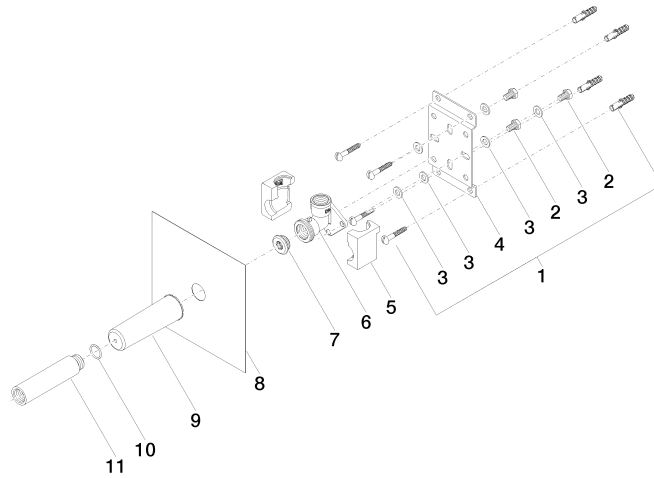
mm [inches]



	min	max
CL. 1	90 [3 1/2"]	163 [6 3/8"]
CL. 2	68 [2 5/8"]	135 [5 3/8"]
Domicil	90 [3 1/2"]	163 [6 3/8"]
Gentle	90 [3 1/2"]	163 [6 3/8"]
IMO	90 [3 1/2"]	163 [6 3/8"]
Lissé	90 [3 1/2"]	163 [6 3/8"]
MEM	90 [3 1/2"]	163 [6 3/8"]
Symetrics	90 [3 1/2"]	163 [6 3/8"]
Vaia	90 [3 1/2"]	163 [6 3/8"]

Certificates

WRAS_1904021. LGA_29336.



Spare parts list

No.	Item Number	Name	Quantity used	Delivery time
1	04 30 31 024 01 90	fixing set	2	2
2	09 30 30 152 90	screw	3	2
3	09 30 11 139 90	disc	6	2
4	09 17 20 094 90	holder	1	2
5	09 11 11 036 90	accessories	1	2
6	09 11 03 041 10 90	connection	1	2
7	04 31 20 006 00 90	plug	1	2
8	04 14 03 072 01 90	gasket kit	1	2
9	09 21 02 102 90	cap	1	2
10	90 14 10 010 00 90	seal	1	2
11	09 24 03 169 10 90	adaptor	1	2

hot & cold - Polished stainless steel / chrome

ST 050 522 2985



- red brass, lead-free
- 2x back flow preventer
- 2x female thread 3/4" connections
- 1x female thread 3/4" outlet for additional valves
- 2x female thread 3/4" outlet, right/left alternatively
- 3x dust cover
- 3x anti-water packing
- soundproofing
- gauge 120 mm
- suitable for xGRID (when using installation track + 12 mm recess depth)

Recommended miscellaneous

Extension 28 mm -

12 177 970 90



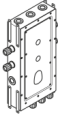
Recommended miscellaneous

Extension 46 mm -

12 178 970 90



Recommended miscellaneous



Drybox Thermostat module with 2 valves - 39 521 970 90
 • Overflow is part of the scope of delivery.

Recommended miscellaneous



xGRID Attachment set for integrating in the dry wall construction - 12 340 970 90

Required miscellaneous

xGRID Installation track 555 mm - 12 360 970 90



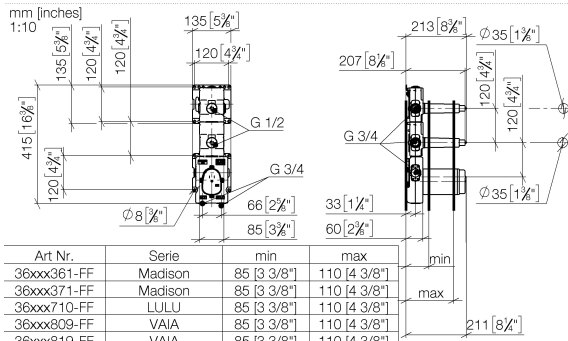


hot & cold - Polished stainless steel / chrome

ST 050 522 2985

hot & cold - Polished stainless steel / chrome

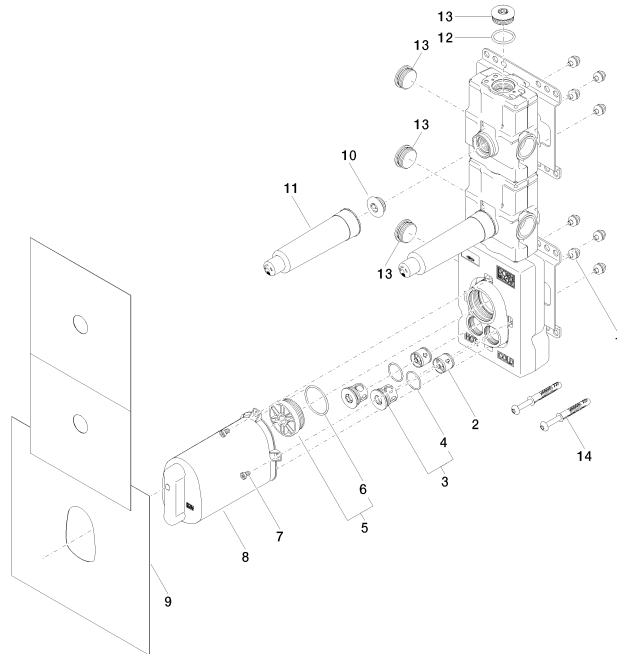
ST 050 522 2985



Art Nr.	Serie	min	max
36xxx361-FF	Madison	85 [3 3/8"]	110 [4 3/8"]
36xxx371-FF	Madison	85 [3 3/8"]	110 [4 3/8"]
36xxx710-FF	LULU	85 [3 3/8"]	110 [4 3/8"]
36xxx809-FF	VAIA	85 [3 3/8"]	110 [4 3/8"]
36xxx819-FF	VAIA	85 [3 3/8"]	110 [4 3/8"]
36xxx882-FF	Tara	95 [3 3/4"]	160 [6 1/4"]
36xxx892-FF	Tara	95 [3 3/4"]	160 [6 1/4"]
36xxx811-FF	CYO	95 [3 3/4"]	160 [6 1/4"]
36xxx812-FF	CYO	95 [3 3/4"]	160 [6 1/4"]
36xxx740-FF	Meta/CL.1/ CYO	95 [3 3/4"]	160 [6 1/4"]
36xxx980-FF	Symetrics	95 [3 3/4"]	160 [6 1/4"]
36xxx985-FF	Symetrics	95 [3 3/4"]	160 [6 1/4"]
36xxx705-FF	CL.1	115 [4 1/2"]	155 [6 1/8"]
36xxx715-FF	CL.1	115 [4 1/2"]	155 [6 1/8"]
36xxx782-FF	MEM	115 [4 1/2"]	155 [6 1/8"]

Certificates

Belgaqua_21-031- WRAS_2011026. ACS_21 ACC LY 141. DVGW_DW-27_6. 6512DN0706.



Spare parts list

No.	Item Number	Name	Quantity used	Delivery time
1	90 23 01 091 00 90	set	8	2
2	90 23 01 045 00 90	back-flow preventer	2	2
3	04 21 34 077 00 90	nipple	2	2
4	09 14 10 098 90	seal	2	2
5	04 31 20 100 00 90	plug	1	2
6	09 14 10 111 90	seal	1	2
7	09 30 30 112 90	screw	4	2
8	04 21 02 174 01 90	cap	1	2
9	04 14 03 073 06 90	gasket kit	1	2
10	04 31 20 006 00 90	plug	2	2
11	09 21 02 173 90	cap	2	2
12	09 14 10 009 90	seal	1	2
13	09 31 20 003 90	plug	4	2
14	04 30 31 054 00 90	fixing set	2	2

hot & cold - Polished stainless steel / chrome

ST 050 522 2985



- red brass, lead-free
- 2x back flow preventer
- 2x female thread 3/4" connections
- 1x female thread 3/4" outlet for additional valves
- 3x female thread 3/4" outlet, right/left alternatively
- 4x dust cover
- 4x anti-water packing
- soundproofing
- gauge 120 mm
- suitable for xGRID (when using installation track + 12 mm recess depth)

Recommended miscellaneous

Extension 28 mm -

12 177 970 90



Recommended miscellaneous

Extension 46 mm -

12 178 970 90



Recommended miscellaneous

Drybox Thermostat module with 3 valves - 39 531 970 90



Recommended miscellaneous

xGRID Attachment set for integrating in the dry wall construction - 12 340 970 90



Required miscellaneous

xGRID Installation track 555 mm - 12 360 970 90

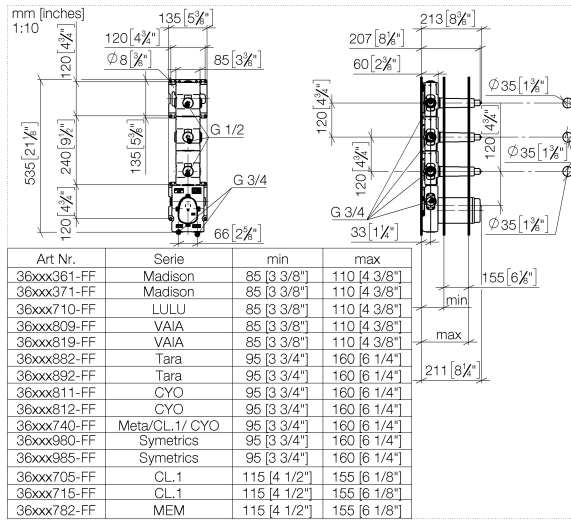




hot & cold - Polished stainless steel / chrome

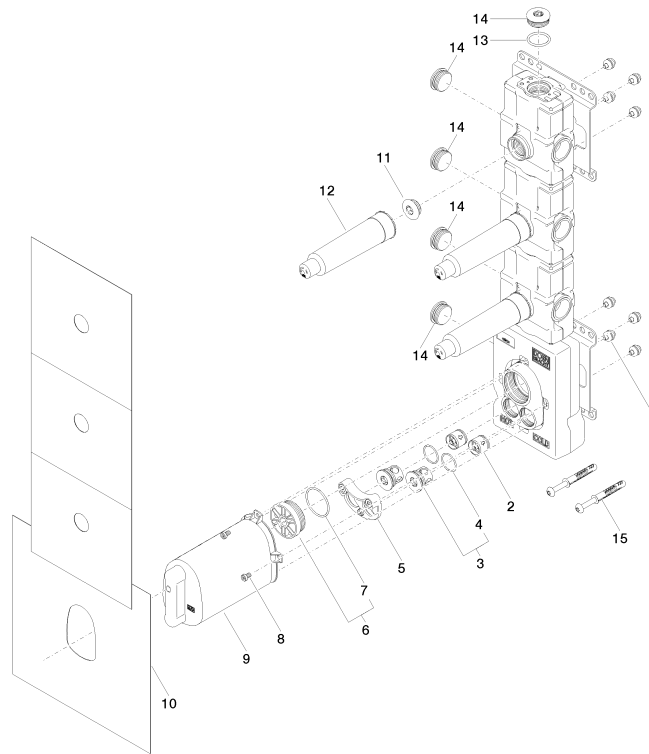
ST 050 522 2985

ST 050 522 2985



Certificates

Belgaqua_21-031- WRAS_2011026. ACS_21 ACC LY 141. DVGW_DW-6512DN0706.

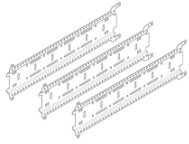


Spare parts list

No.	Item Number	Name	Quantity used	Delivery time
1	90 23 01 091 00 90	set	8	2
2	90 23 01 045 00 90	back-flow preventer	2	2
3	04 21 34 077 00 90	nipple	2	2
4	09 14 10 098 90	seal	2	2
5	90 12 12 218 00 90	base	1	2
6	04 31 20 100 00 90	plug	1	2
7	09 14 10 111 90	seal	1	2
8	09 30 30 112 90	screw	4	2
9	04 21 02 174 01 90	cap	1	2
10	04 14 03 073 07 90	gasket kit	1	2
11	04 31 20 006 00 90	plug	3	2
12	09 21 02 173 90	cap	3	2
13	09 14 10 009 90	seal	1	2
14	09 31 20 003 90	plug	5	2
15	04 30 31 054 00 90	fixing set	2	2

hot & cold - Polished stainless steel / chrome

ST 050 522 2985



- width 555mm
- height 135 mm
- depth 12 mm
- retaining screws and plugs

This set contains 3 xGRID installation tracks and includes fixing material

More about the xGRID installation track can be found in the Shower Book brochure

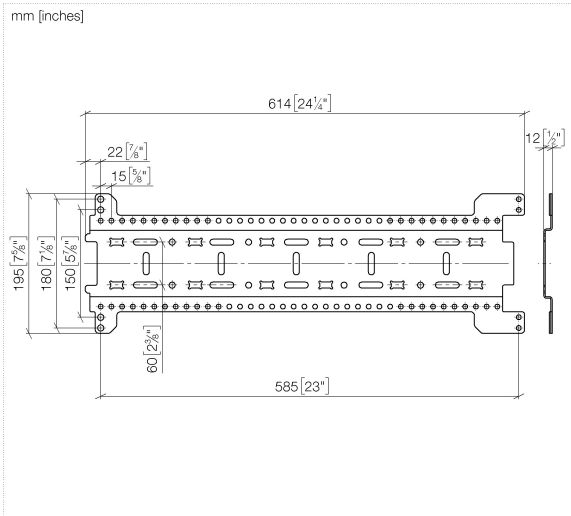


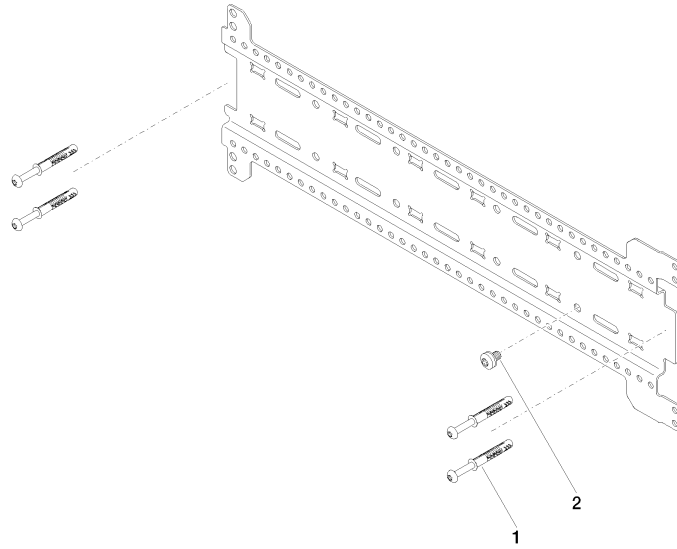
hot & cold - Polished stainless steel / chrome

ST 050 522 2985

hot & cold - Polished stainless steel / chrome

ST 050 522 2985





Spare parts list

No.	Item Number	Name	Quantity used	Delivery time
1	04 30 31 054 00 90	fixing set	6	2
2	04 30 30 212 00 90	fixing set	3	60

hot & cold - Polished stainless steel / chrome





ST 050 522 2985



Fits: IMO, MEM, CL.1, CYO

- LAMINAR FLOW, max. flow rate 15 l/min (at 3 bar)
- 3/8" shower outlet
- cover plate 240 x 60 mm
- metal shower hose 1250mm with integrated anti-twist protection
- 1/2" connection
- plug-link mounting

Intrinsic protection against back flow.

	Chrome	27 838 979-00
	Brushed Platinum	27 838 979-06
	Platinum	27 838 979-08
	Dark Chrome	27 838 979-19
	Brushed Light Gold	27 838 979-27
	Brushed Durabross (23kt Gold)	27 838 979-28
	Matte Black	27 838 979-33
	Brushed Chrome	27 838 979-93
	Brushed Dark Platinum	27 838 979-99

Recommended miscellaneous



Concealed wall elbow -

- max. recess depth 163 mm
- min. recess depth 90 mm

35 085 970 90



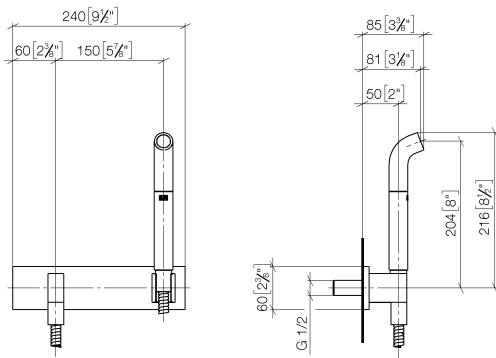
hot & cold - Polished stainless steel / chrome

ST 050 522 2985

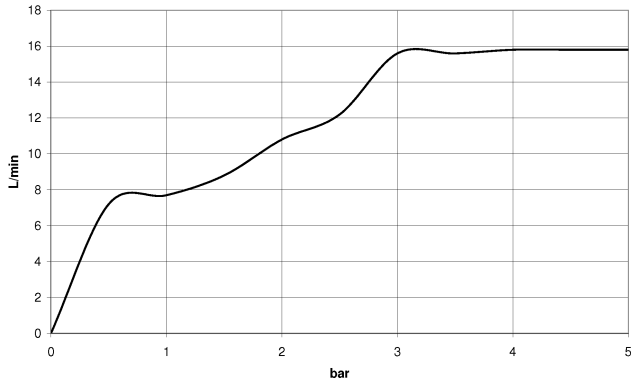
hot & cold - Polished stainless steel / chrome

ST 050 522 2985

mm [inches]

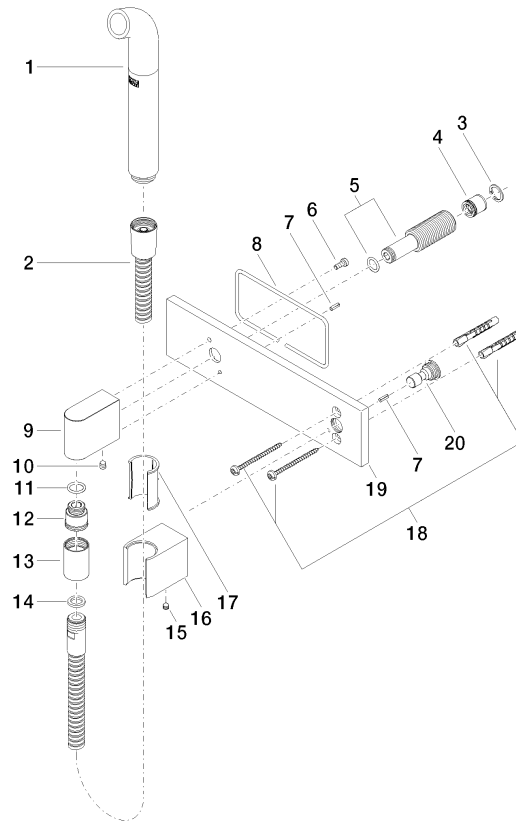


Flow rate chart



Certificates

Belgaqua_21-023- LGA_38675.
27_8.



Spare parts list

No.	Item Number	Name	Quantity used	Delivery time
1	04 12 11 073 01-00	spout	1	10
2	90 30 02 072 00-00	Metal shower hose 1/2" x 3/8" x 1250 mm - Chrome	1	10
3	09 16 01 014 90	ring	1	2
4	09 23 01 046 90	back-flow preventer	1	2
5	90 24 03 212 00 90	nipple	1	2
6	09 14 10 008 90	seal	1	2
7	09 31 11 026 90	pin	2	2
8	09 14 03 127 90	seal	1	2
9	09 11 03 046-00	connection	1	10
10	90 31 11 004 00 90	pin	1	2
11	90 14 10 077 00 90	seal	1	2
12	09 24 03 107 20 90	nipple	1	2
13	90 21 02 069 00-00	cover	1	10
14	90 14 20 026 00 90	seal	1	2
15	90 31 11 112 00 90	pin	1	2
16	09 17 20 044-00	holder	1	10
17	09 18 40 078 90	sleeve	1	2
18	05 30 31 025 00 90	fixing set	1	2
19	09 11 02 133-00	plate	1	10
20	09 24 03 073 90	nipple	1	2

hot & cold - Polished stainless steel / chrome


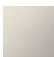




ST 050 522 2985



Fits: IMO, MEM, CL.1

- 450mm projection
- rain shower 300 x 240mm
- PURE RAIN, max. flow rate 20 l/min (at 3 bar)
- Function from: 12 l/min
- rosette 60 x 60 mm
- 1/2" connection
- with anti-scale system
- quick clearing
- WRAS 1707033

Product change as of 1st April 2024: max. flow 20l/min

	Chrome	28 765 980-00
	Brushed Platinum	28 765 980-06
	Platinum	28 765 980-08
	Brushed Light Gold	28 765 980-27
	Brushed Durabronze (23kt Gold)	28 765 980-28
	Matte Black	28 765 980-33
	Brushed Chrome	28 765 980-93
	Brushed Dark Platinum	28 765 980-99

Recommended miscellaneous



Concealed wall elbow -

- max. recess depth 163 mm
- min. recess depth 90 mm

35 085 970 90



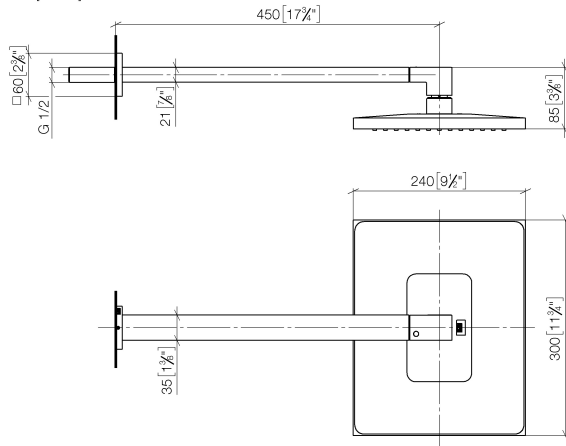
hot & cold - Polished stainless steel / chrome

ST 050 522 2985

hot & cold - Polished stainless steel / chrome

ST 050 522 2985

mm [inches]

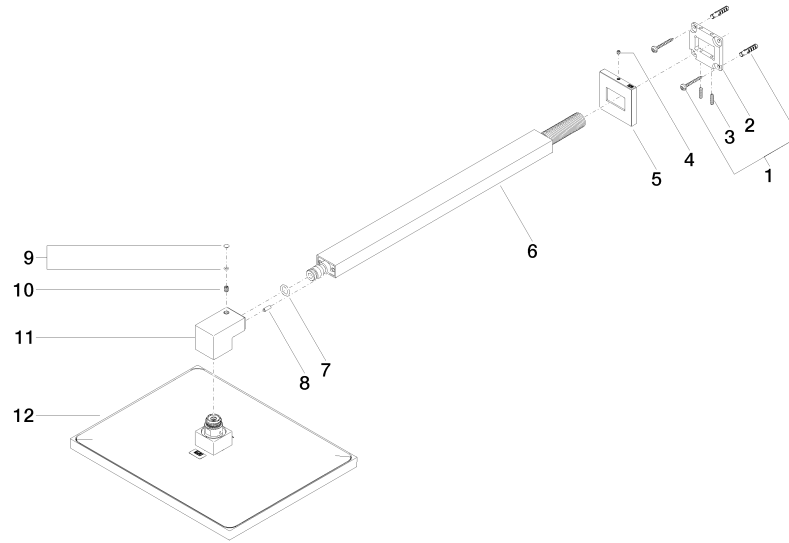


Certificates

LGA_29229.

WRAS_2212012.

LGA_38662.



Spare parts list

No.	Item Number	Name	Quantity used	Delivery time
1	04 30 31 032 00 90	fixing set	1	2
2	09 30 11 160 90	disc	1	2
3	09 31 11 084 90	pin	2	2
4	09 31 11 099 90	pin	1	2
5	09 27 98 016-00	rosette	1	10
6	04 28 22 247 20-00	pipe	1	10
7	90 14 10 011 00 90	seal	1	2
8	09 31 11 040 90	pin	1	2
9	90 31 20 087 00-00	plug	1	10
10	09 31 11 036 90	pin	1	2
11	09 17 01 180-00	connection	1	10
12	04 12 05 063 00-00	shower	1	10

hot & cold - Polished stainless steel / chrome

ST 050 522 2985



- forceful flat water jet
- horizontal water jet
- cover plate 240 x 60 mm
- water jet adjustable
- 1/2" connection
- max. flow 10 l/min
- WRAS 2005003
- This product can help a building meet the requirements of Green Building Rating Systems, e.g. LEED®, BREEAM®, DGNB

Fits: IMO, LULU, MADISON, MEM, TARA, CL.1, LISSÉ, VAIA, META, CYO

	Chrome	36 512 979-00
	Brushed Platinum	36 512 979-06
	Platinum	36 512 979-08
	Dark Chrome	36 512 979-19
	Light Gold	36 512 979-26
	Brushed Light Gold	36 512 979-27
	Brushed Durabronze (23kt Gold)	36 512 979-28
	Matte Black	36 512 979-33
	Brushed Bronze	36 512 979-42
	Brushed Champagne (22kt Gold)	36 512 979-46
	Champagne (22kt Gold)	36 512 979-47
	Brushed Chrome	36 512 979-93
	Brushed Dark Platinum	36 512 979-99

Required miscellaneous



- Concealed wall installation box - 35 206 970 90**
- max. recess depth 173 mm
 - min. recess depth 100 mm

Recommended miscellaneous



- xGRID Attachment set for integrating in the dry wall construction - 12 340 970 90**

Required miscellaneous



- xGRID Installation track 555 mm - 12 360 970 90**



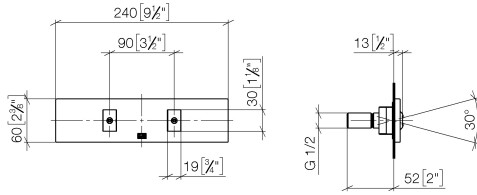
hot & cold - Polished stainless steel / chrome

ST 050 522 2985

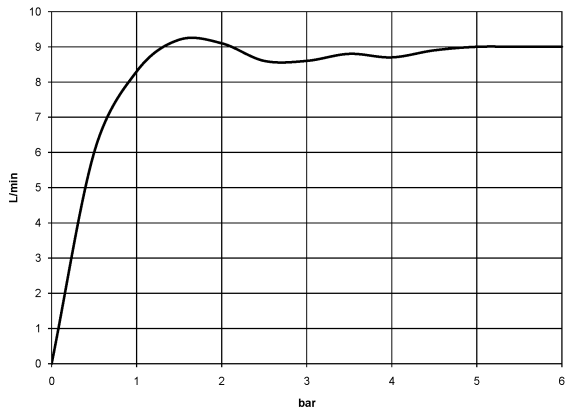
hot & cold - Polished stainless steel / chrome

ST 050 522 2985

mm [inches]



Flow rate chart

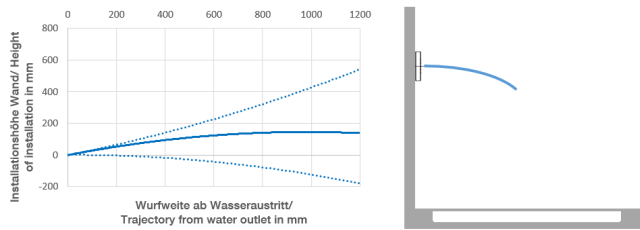


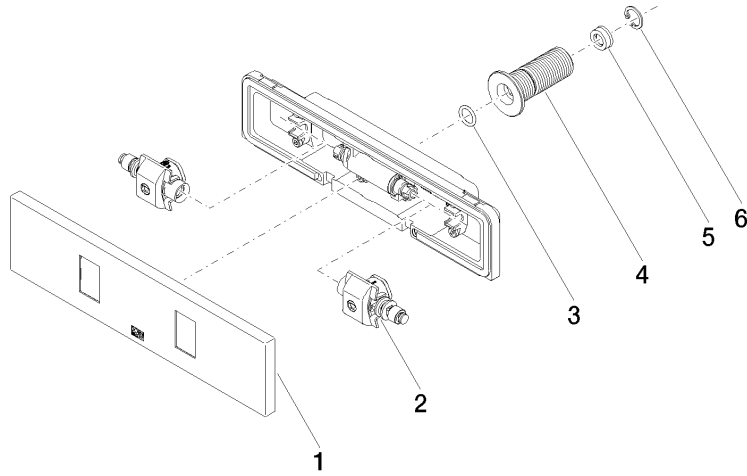
Certificates

LGA_29335.

WRAS_2005003.

Trajectory diagram





Spare parts list

No.	Item Number	Name	Quantity used	Delivery time
1	90 27 99 002 00-00	insert	1	10
2	90 31 10 012 00 90	insert	1	2
3	09 14 10 003 90	seal	1	2
4	09 24 05 015 90	nipple	1	2
5	09 23 01 134 90	flow reducer	1	2
6	09 16 01 014 90	ring	1	2



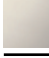






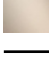


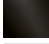
hot & cold - Polished stainless steel / chrome

ST 050 522 2985



- AQUAPRESSURE FLOW, max. flow rate 10 l/min (at 3 bar)
- water jet adjustable
- cover plate 240 x 60 mm
- 1/2" connection
- WRAS 2005003

Fits: IMO, LULU, MADISON, MEM, TARA, CL.1, LISSÉ, VAIA, META, CYO

	Chrome	36 513 979-00
	Brushed Platinum	36 513 979-06
	Platinum	36 513 979-08
	Dark Chrome	36 513 979-19
	Light Gold	36 513 979-26
	Brushed Light Gold	36 513 979-27
	Brushed Durabrass (23kt Gold)	36 513 979-28
	Matte Black	36 513 979-33
	Brushed Bronze	36 513 979-42
	Brushed Champagne (22kt Gold)	36 513 979-46
	Champagne (22kt Gold)	36 513 979-47
	Brushed Chrome	36 513 979-93
	Brushed Dark Platinum	36 513 979-99

Required miscellaneous



- Concealed wall installation box -** 35 206 970 90
- max. recess depth 173 mm
 - min. recess depth 100 mm

Recommended miscellaneous



- xGRID Attachment set for integrating in the dry wall construction -** 12 340 970 90

Required miscellaneous



- xGRID Installation track 555 mm -** 12 360 970 90



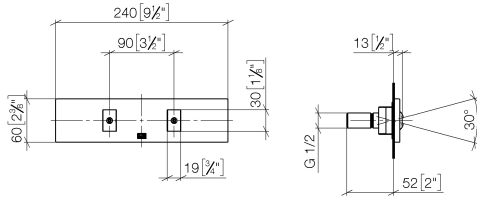
hot & cold - Polished stainless steel / chrome

ST 050 522 2985

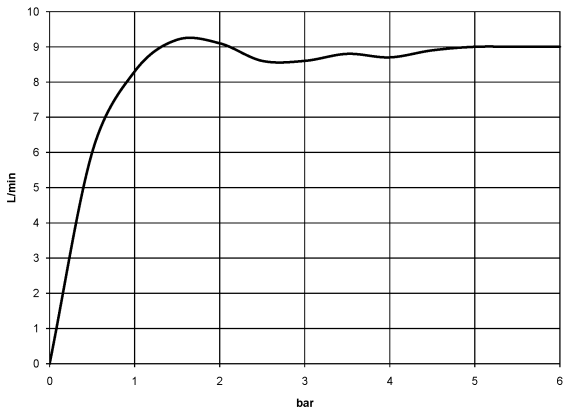
hot & cold - Polished stainless steel / chrome

ST 050 522 2985

mm [inches]



Flow rate chart

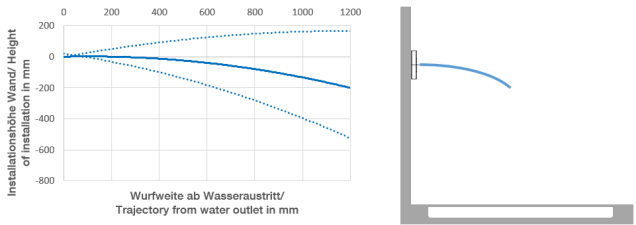


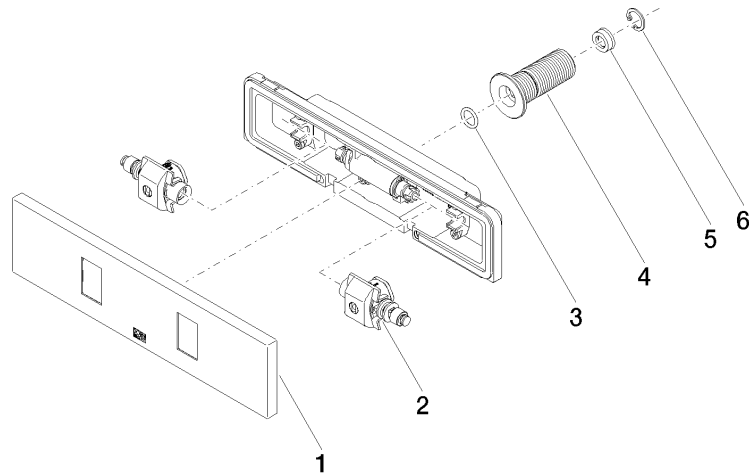
Certificates

LGA_29335.

WRAS_2005003.

Trajectory diagram





Spare parts list

No.	Item Number	Name	Quantity used	Delivery time
1	90 27 99 002 00-00	insert	1	10
2	90 31 10 013 00 90	insert	1	2
3	09 14 10 003 90	seal	1	2
4	09 24 05 015 90	nipple	1	2
5	09 23 01 134 90	flow reducer	1	2
6	09 16 01 014 90	ring	1	2

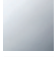
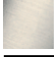










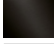
hot & cold - Polished stainless steel / chrome

ST 050 522 2985



- AQUAPRESSURE FLOW, max. flow rate 10 l/min (at 3 bar)
- water jet adjustable
- cover plate 120 x 60 mm
- 1/2" connection
- WRAS 2005004

Fits: IMO, LULU, MADISON, MEM, TARA, CL.1, LISSÉ, VAIA, META, CYO

	Chrome	36 514 979-00
	Brushed Platinum	36 514 979-06
	Platinum	36 514 979-08
	Dark Chrome	36 514 979-19
	Light Gold	36 514 979-26
	Brushed Light Gold	36 514 979-27
	Brushed Durabronze (23kt Gold)	36 514 979-28
	Matte Black	36 514 979-33
	Brushed Bronze	36 514 979-42
	Brushed Champagne (22kt Gold)	36 514 979-46
	Champagne (22kt Gold)	36 514 979-47
	Brushed Chrome	36 514 979-93
	Brushed Dark Platinum	36 514 979-99

Recommended miscellaneous



- Concealed wall elbow -**
- max. recess depth 163 mm
 - min. recess depth 90 mm

35 085 970 90



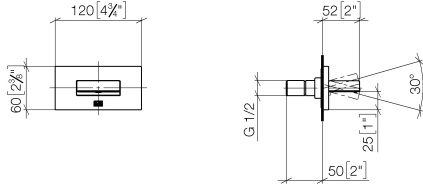
hot & cold - Polished stainless steel / chrome

ST 050 522 2985

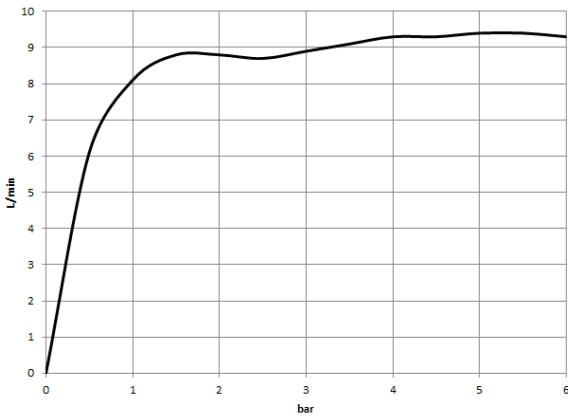
hot & cold - Polished stainless steel / chrome

ST 050 522 2985

mm [inches]



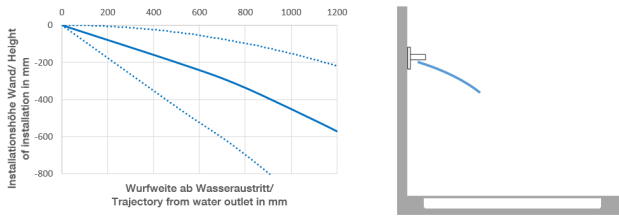
Flow rate chart

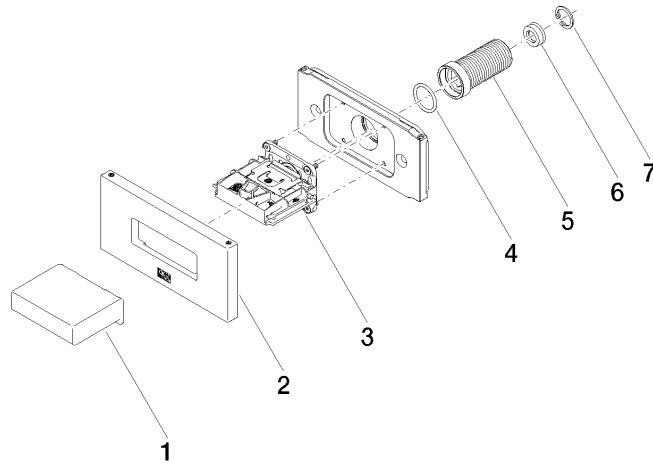


Certificates

WRAS_2005004. LGA_29336.

Trajectory diagram





Spare parts list

No.	Item Number	Name	Quantity used	Delivery time
1	09 17 01 230-00	casing	1	10
2	90 27 97 041 00-00	rosette	1	10
3	90 29 03 088 00 90	insert	1	2
4	90 14 10 010 00 90	seal	1	2
5	09 24 04 336 90	nipple	1	2
6	09 23 01 134 90	flow reducer	1	2
7	09 16 01 014 90	ring	1	2

hot & cold - Polished stainless steel / chrome

ST 050 522 2985



- cover plate 120 x 120 mm
- temperature control handle with safety limit stop at 38°C
- thermostat cartridge

Fits: IMO, MEM, CL.1, CYO

	Chrome	36 503 985-00
	Brushed Platinum	36 503 985-06
	Platinum	36 503 985-08
	Dark Chrome	36 503 985-19
	Brushed Light Gold	36 503 985-27
	Brushed Durabrass (23kt Gold)	36 503 985-28
	Matte Black	36 503 985-33
	Brushed Champagne (22kt Gold)	36 503 985-46
	Champagne (22kt Gold)	36 503 985-47
	Brushed Chrome	36 503 985-93
	Brushed Dark Platinum	36 503 985-99

Required miscellaneous



xTOOL Concealed thermostat module without volume control - 35 503 970 90
 •max. recess depth 160 mm
 •min. recess depth 95 mm

Recommended miscellaneous



xGRID Attachment set for integrating in the dry wall construction - 12 340 970 90

Required miscellaneous



xGRID Installation track 555 mm - 12 360 970 90



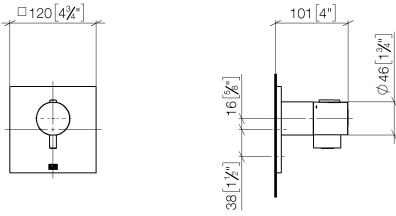
hot & cold - Polished stainless steel / chrome

ST 050 522 2985

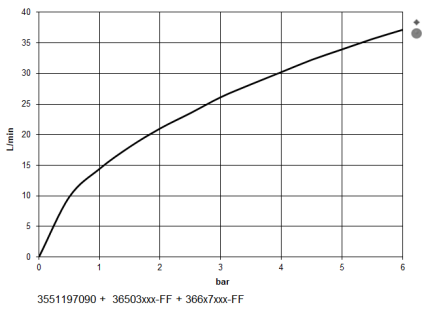
hot & cold - Polished stainless steel / chrome

ST 050 522 2985

mm [inches]



Flow rate chart



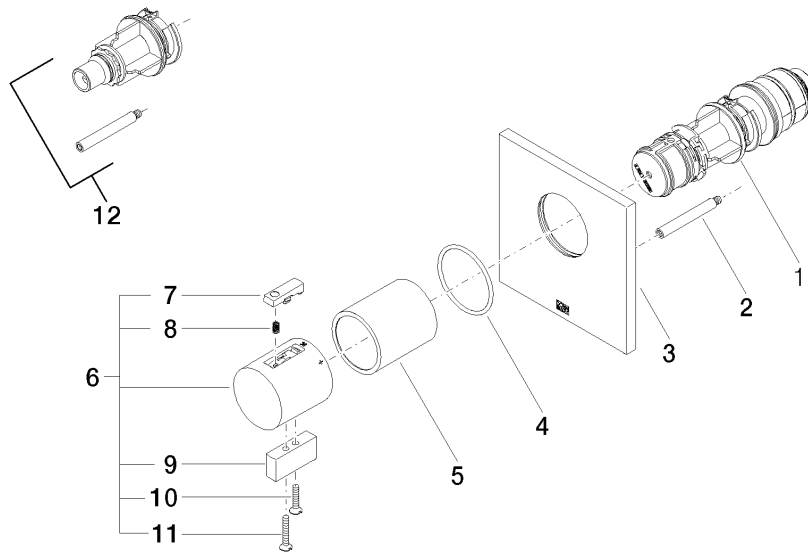
Certificates

WRAS_2011026.

DVGW_DW-
6512DN0706.

LGA_29930.

LGA_29932.



Spare parts list

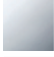
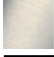





No.	Item Number	Name	Quantity used	Delivery time
1	90 15 02 063 00 90	cartridge	1	2
2	90 31 09 095 00 90	bar	1	2
3	09 11 02 196-00	cover	1	60
4	90 14 10 049 00 90	seal	1	2
5	90 21 02 112 00-00	sleeve	1	10
6	04 17 33 006 00-00	handle	1	60
7	90 21 33 011 00-13	handle	1	2
8	90 16 02 027 00 90	spring	1	2
9	09 20 33 006-00	handle	1	10
10	09 30 30 159-00	screw	1	10
11	09 30 30 160-00	screw	1	10
12	12 178 970 90	Extension 46 mm -	1	2

hot & cold - Polished stainless steel / chrome

ST 050 522 2985

- rosette 60 x 60 mm
- head part with cut-to-length spindle and sleeve



	Chrome	36 607 985-00
	Brushed Platinum	36 607 985-06
	Platinum	36 607 985-08
	Brushed Light Gold	36 607 985-27
	Brushed Durabross (23kt Gold)	36 607 985-28
	Brushed Chrome	36 607 985-93
	Brushed Dark Platinum	36 607 985-99

Required miscellaneous



- Wall valve 1/2" -** 35 607 970 90
- max. recess depth 145 mm
 - min. recess depth 75 mm



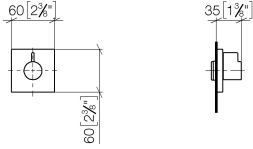
hot & cold - Polished stainless steel / chrome

ST 050 522 2985

hot & cold - Polished stainless steel / chrome

ST 050 522 2985

mm [inches]



Certificates

DVGW_DW-
6501DN0116.

WRAS_2011026.

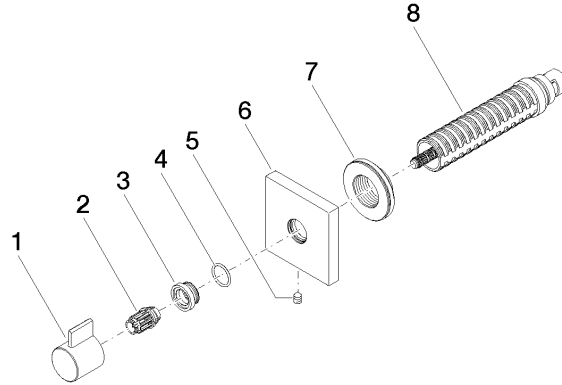
IAPMO_4976 (1).

LGA_29931.

WRAS_2010066.

DVGW_DW-
6512DN0706.

LGA_29932.



Spare parts list

No.	Item Number	Name	Quantity used	Delivery time
1	09 20 98 002-00	handle	1	10
2	09 12 12 005 90	fixing cap	1	2
3	09 12 12 043-00	base	1	10
4	09 14 10 017 90	seal	1	2
5	90 31 11 004 00 90	pin	1	2
6	09 27 98 014-00	rosette	1	10
7	09 21 02 151 90	sleeve	1	2
8	90 90 03 202 00 90	top	1	2